

MMZB-27 Series

27" Medical Grade Monitors

- 27" Medical Grade Monitor
- Certified to UL 60601-1 Ver. 3.1 and/or IEC 60601-1-2 4th Edition
- 1920 x 1080 Full HD Resolution
- White ABS Enclosure; Bezel-Less Front Simplifies Cleaning, Increases Safety & Hygiene
- Built-In Speakers
- Auto Re-Start After Power Loss
- 3-Year Warranty



The TRU-Vu MMZB-27 Series are 27" medical monitors. The MMZB-27G-X conforms to UL 60601-1 Edition 3.1, and IEC 60601-1-2 4th Edition. The model MMZB-27G (with internal Medical-Grade power supply) was not submitted for UL approval, but meets CB, IEC and the other agencies shown on the spec sheet. Additionally, this 27" medical display is ideal for hospital operating rooms, medical carts, medical imaging systems, fluoroscopy, endoscopy, OEM medical systems, PACS and other medical applications.

27" MEDICAL DISPLAY, OPTIMAL IMAGE QUALITY

Our widescreen 27" medical monitor provides 1080p, 1920 x 1080 Full HD resolution. The super-wide 178 x 178 viewing angles ensures clear, sharp images when viewed from nearly any angle. For instance, this is ideal for a surgical display. Thanks to its high resolution, brightness and high contrast ratio, our 27" medical-grade display provides razor-sharp, flicker free images. For example, this enables doctors and surgeons to make accurate, and timely, critical decisions. Fast response time and lag-free transmission of images ensure the most detailed images in the OR today. It features a 16:9 aspect ratio.

FULLY FLAT DESIGN IS EASY TO CLEAN

Our zero-bezel ABS enclosure features a single pane of glass across the entire front face of its 27" medical monitor. Due to the absence of any raised-edge bezel (frame) around the front edges, this screen is extremely easy to clean (see [Cleaning Instructions Guide](#)) and improves overall hygiene. The bezel-less monitor enclosure eliminates the build-up of germs and contamination, as there is no bezel for them to reside beneath, as with standard enclosures. The rounded corners of the housing add a measure of comfort and safety, as well as improved aesthetics.

This lightweight surgical display features rear VESA mount holes. This enables easy mounting via spring arms, surgical booms or tabletop stands. Visit our wide range of [LCD monitor mounts and stands](#) to complete your installation. Rear speakers are standard and can provide useful tones or alarms.

FANLESS MEDICAL GRADE DISPLAYS

All our Medical displays are built without internal fans. A fanless design provides numerous important benefits. Reliability and durability are greatly increased, since one major moving part, the fan, which is subject to mechanical failure, is eliminated. A fan-less design also provides a higher level of safety in sterile environments, as it eliminates the circulation of pathogens and dust. Lastly, a fan-less monitor is also quieter.

WE ARE READY TO HELP YOU FIND THE BEST MEDICAL DISPLAY

With over 200 LCD monitors and touch screens on our site, selecting the ideal monitor solution may be a bit overwhelming. To help narrow-down the choices, check out our [Advanced Search Tool](#). For example, this enables you to filter by your own useful features. View all [Medical-Grade displays only](#). Shop by size [21.5" to 65" monitors](#), filter by [standard brightness](#), or see all [bezel less monitors](#). Custom OEM LCD Displays and Private Label Monitors are also an option if you have very specific requirements.

Remember, our team members are ready to help! We can determine the exact solution that will meet your specific needs. TRU-Vu medical displays will help provide crystal-clear images for your medical projects. Call (847) 259-2344 today to speak with one of our medical monitor specialists. Above all, we will listen. It's one of the things we do best. Our professional advisors will ensure the medical monitor or touch screen you receive will be everything you had hoped it would for your medical imaging system.

If you prefer, fill out a [quick form](#) with your requirements, and our specialists will guide you to the proper models that will work best.

All TRU-Vu Medical Grade monitors utilizes industrial-grade components and high-end LCD panels. These are not found in retail or consumer-grade monitors. Therefore, this ensures superior image quality, improved performance and greater durability.

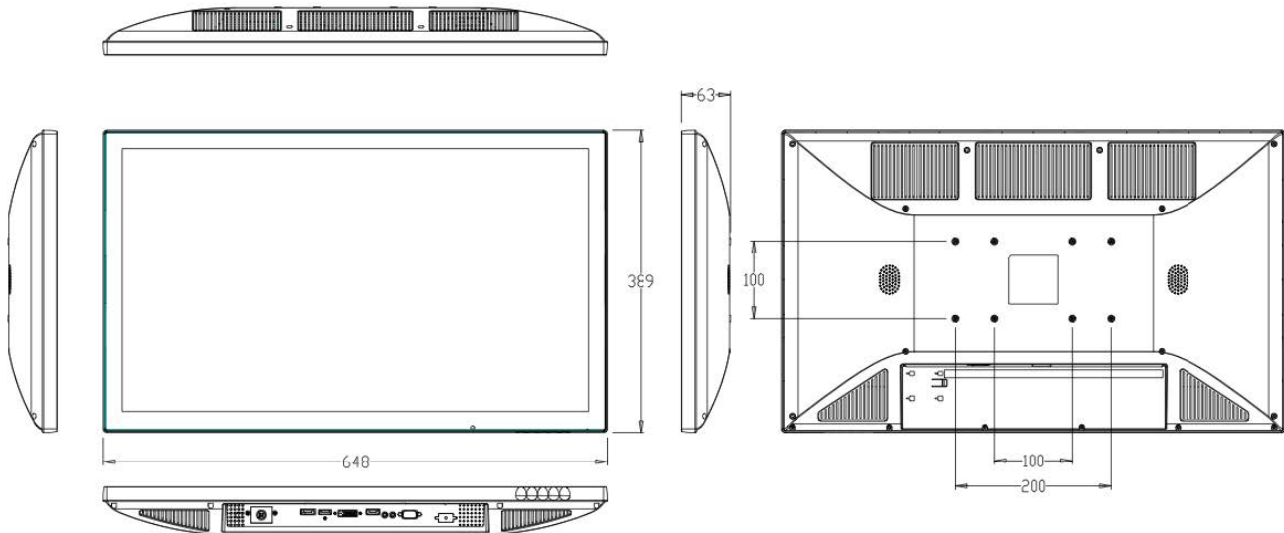
SPECIFICATIONS

	MMZB-27G-X	MMZB-27G
LCD Panel	27" Color AMVA; LED Backlights	
Resolution	1920 x 1080 (1080p/60)	
Viewable Area	23.53" (W) x 13.23" (H) (597.6 x 336.15 mm)	
Pixel Pitch	0.311 mm	
Display Colors	16.7 M	
Aspect Ratio	16:9	
Brightness	350 nits	
Contrast Ratio	3,000:1	
Viewing Angle	178° (H) x 178° (V)	
Response Time	12 msec Trf	
Control	OSD (On-Screen Display) via Capacitive Buttons Under Front Edge	
Video Inputs	DVI, HDMI, DisplayPort	
Audio	Dual Rear Speakers	
Power Requirement	100-240 VAC via Medical-Grade External Power Supply with Locking Connector; Includes Green Dot Power Cord	100-240 VAC via Medical-Grade Internal Power Supply and Green Dot Power Cord
Power Consumption	27.5W	TBD
Enclosure	Zero-Bezel Front; White ABS Rear	
Enclosure IP Rating	Front: IP65 Rear: IP30	
Mounting	100mm x 100mm Rear VESA Holes; Optional Tabletop Base	
Operating Temperature	32° to 122°F (-0 to 50°C)	
Humidity	5-90% Non-Condensing	
Shock / Vibration	50G Half-sine 20 msec ; 1.5G 10-200 Hz	

	MMZB-27G-X	MMZB-27G
Certifications	UL: ANSI/AAMI ES60601-1 (2005/(R)2012 + A1:2012, C1:2009/(R)2012 + A2:2010/(R)2012) CAN/CSAC22.2 No. 60601-1:14 CB : IEC 60601-1-6:2010/AMD1:2013, IEC 60601-1-6:2010, IEC 60601-1:2005/AMD1:2012, IEC 60601-1:2005	
Dimensions	25.51" (W) x 15.23" (H) x 2.48" (D) (648 x 389 x 63mm)	
Weight	14.7 lbs. (6.66kg)	TBD
Warranty	3 Years	

Note: Specifications subject to change without notice.

DIMENSIONS (MM)



Standard Accessories:

- External Medical-Grade Power Supply with Green Dot Power Cord (MMZB-27G-X model)
- DVI Cable (MMZB-27G-X Only)
- HDMI ((MMZB-27G-X Only)
- DisplayPort (MMZB-27G-X Only)
- Audio ((MMZB-27G-X Only)

Available Options:

- DICOM Part 14 GSDF Calibration
- Black Enclosure
- Private-Label
- Tabletop Base
- Other Customer-Specific Modifications