

MMZB-15.6G-X

15.6 Medical Grade Monitor

- 15.6" Medical Grade Monitor
- Meets UL 60601-1 Ver. 3.1; IEC 60601-1-2 4th Edition
- 1920 x 1080 Full HD Resolution
- Bezel Less Enclosure Simplifies Cleaning, Improves Hygiene
- Built-In Speakers
- Auto Re-Start After Power Loss
- 3-Year Warranty



15.6" MEDICAL GRADE MONITOR

The TRU-Vu MMZB-15.6G-X is a 15.6" Medical Grade monitor. It conforms to UL 60601-1 Edition 3.1, and IEC 60601-1-2 4th Edition. Our 15.6" Medical Grade monitor is ideal for hospital operating rooms, medical carts, medical imaging systems, fluoroscopy, endoscopy, OEM medical systems, PACS and other medical applications.

OPTIMAL IMAGE QUALITY IN A MEDICAL GRADE DISPLAY

Our widescreen 15.6" medical grade monitor provides 1080p, 1920 x 1080 Full HD resolution. The super-wide 178 x 178 viewing angles ensures clear, sharp images when viewed from nearly any angle. This is ideal for a surgical display. Thanks to its high resolution, brightness and high contrast ratio, our 15.6" medical-grade display provides razor-sharp, flicker free images. This enables doctors and surgeons to make accurate, and timely, critical decisions. Fast response time and lag-free transmission of images ensure the most detailed images in the OR today.

BEZEL LESS MONITOR, FULLY FLAT DESIGN

Our zero-bezel ABS enclosure features a single pane of glass across the entire front face of its 15.6" medical grade monitor. Due to the absence of any raised-edge bezel (frame) around the front edges, this screen is extremely easy to clean (see [Cleaning Instructions Guide](#)). This also improves overall hygiene. The bezel-less monitor enclosure eliminates the build-up of germs and contamination, as there is no bezel for them to reside beneath as with standard enclosures. The rounded corners of the housing add a measure of comfort and safety, as well as improved aesthetics.

This lightweight surgical display features rear VESA mount holes. This enables easy mounting via spring arms, surgical booms or tabletop stands. Rear speakers are standard and can provide useful tones or alarms.

FANLESS MEDICAL GRADE MONITORS

All our Medical displays are built without internal fans. A fanless design provides numerous important benefits. Reliability and durability are greatly increased, since one major moving part, the fan, which is subject to mechanical failure, is eliminated. A fan-less design also provides a higher level of safety in sterile environments, as it eliminates the circulation of pathogens and dust. Lastly, a fan-less monitor is also quieter.

OUR TECHNICAL EXPERTS WILL HELP YOU FIND THE BEST MEDICAL DISPLAY

With over 200 LCD monitors and touch screens on our site, selecting the ideal medical monitor solution may be a bit

overwhelming. To help narrow-down the choices, check out our [Advanced Search Tool](#). For example, this enables you to filter by your own useful features. View all [Medical-Grade displays only](#). Shop by size [21.5" to 65" monitors](#), or see only [no bezel displays](#). Custom OEM LCD Displays and Private Label Monitors are also an option if you have very specific requirements.

Remember, our team members are ready to help! We can determine the exact solution that will meet your specific needs. TRU-Vu medical displays will help provide crystal-clear images for your medical projects. Call (847) 259-2344 today to speak with one of our medical monitor specialists. Above all, we will listen. It's one of the things we do best. Our professional advisors will ensure the monitor or touch screen you receive will be everything you had hoped it would for your medical imaging system.

If you prefer, fill out a [quick form](#) with your requirements, and our specialists will guide you to the best possible models.

All TRU-Vu Medical Grade monitors utilize industrial-grade components and high-end LCD panels. These are not found in retail or consumer-grade monitors. Therefore, this ensures superior image quality, improved performance and greater durability.

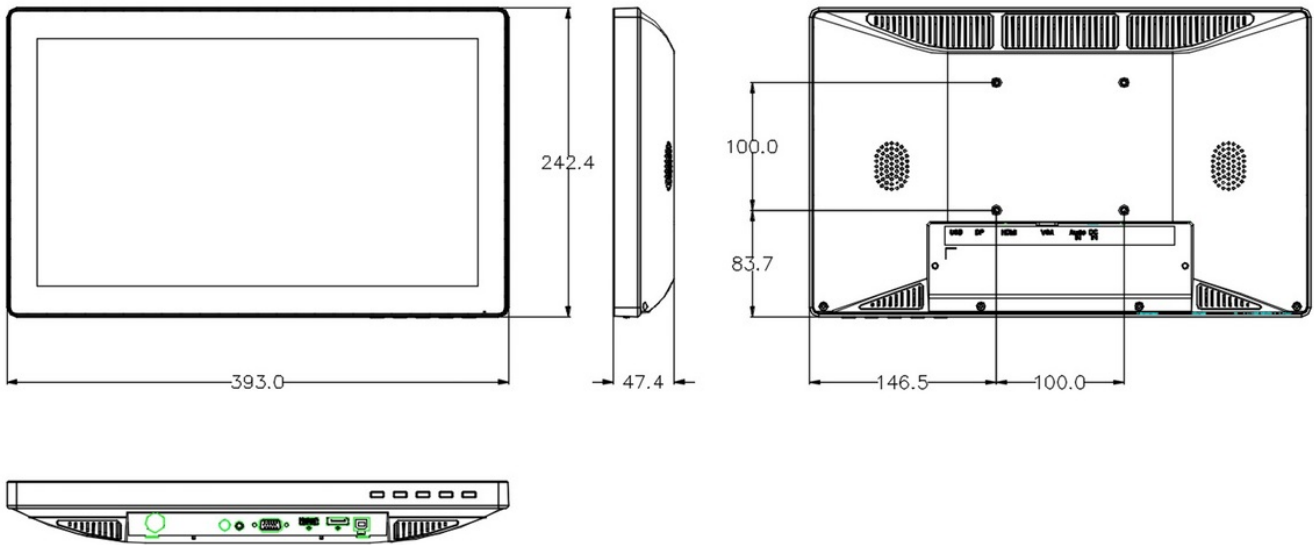
SPECIFICATIONS

| | MMZB-15.6G-X |
|-----------------------|---|
| LCD Panel | 15.6" Color AHVA; LED Backlights |
| Resolution | 1920 x 1080 (1080p/60) |
| Viewable Area | 13.55" W X 7.62" H (344.16 x 193.59 mm) |
| Pixel Pitch | 0.17925 mm |
| Display Colors | 16.7M |
| Aspect Ratio | 16:9 |
| Brightness | 500 nits |
| Contrast Ratio | 1,000:1 |
| Viewing Angle | 178° (H) x 178° (V) |
| Protective Glass | Anti-Glare |
| Response Time | 25 msec Trf |
| Control | OSD (On-Screen Display) via Pushbuttons Under Front Edge |
| Video Inputs | DVI-D, HDMI, DisplayPort |
| Audio | Dual Rear Speakers |
| Power Requirement | 100-240 VAC via Medical-Grade External Power Supply with Locking Connector; Includes Green Dot Power Cord |
| Power Consumption | 13.8W |
| Enclosure | Zero-Bezel Front; White ABS Rear |
| Enclosure IP Rating | Front: IP65 Rear: IP30 |
| Mounting | 100mm x 100mm Rear VESA Holes; Optional Tabletop Base |
| Operating Temperature | -4° to 158°F (-20 to +70°C) |
| Humidity | 5-90% RH |
| Shock / Vibration | 50G Half-sine 20 msec ; 1.5G 10-200 Hz |
| Certifications | UL: ANSI/AAMI ES60601-1 (2005/(R)2012 + A1:2012, C1:2009/(R)2012 + A2:2010/(R)2012) CAN/CSAC22.2 No. 60601-1:14 CB : IEC 60601-1-6:2010/AMD1:2013, IEC 60601-1-6:2010, IEC 60601-1:2005/AMD1:2012, IEC 60601-1:2005 |
| Dimensions | 15.47" (W) x 9.54" (H) x 1.86" (D) (393 x 242.4 x 47.44 mm) |
| Weight | 5.6lbs (2.54kg) |

| | |
|----------|---------------------|
| | MMZB-15.6G-X |
| Warranty | 3 Years |

Note: Specifications subject to change without notice.

DIMENSIONS (MM)



Standard Accessories:

- External Medical-Grade Power Supply with Locking Connector
- Hospital-Grade Green Dot Power Cord
- HDMI Cable
- Audio Cable
- USB Cable

Available Options:

- Tabletop Base
- Black Enclosure
- Wall Mount Brackets
- DICOM Part 14 GSDF Calibration
- Private Label
- Other Customer-Specific Modifications