

## ▪ Features

- For high resolution, large-sized line sensor cameras.
- Recommendable line sensor cameras –  $5.2\ \mu\text{m} \times 12\text{K}$  /  $7\ \mu\text{m} \times 8\text{K}$
- Fixed magnification : Choice of 5 types of magnification (0.35x•0.5x•0.7x•1x•1.4x)
- High performance guaranteed in all range of magnification.
- Aperture lockable screw and floating ring lockable screw for easy use.

## ▪ Applications

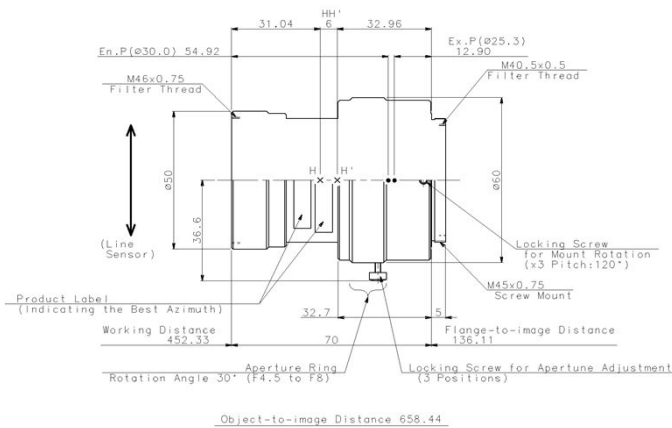
- Inspection by high-resolution line sensor cameras
- Flat panel inspection
- PCB inspection
- Wafer inspection
- Printed materials inspection.



Specifications

Model	L-OFM035030MN
Focal length	125.3mm
F Number (∞)	F4.5
NA	0.030
Magnification scale	-0.35x
Reference wavelength	546.07nm(e-line)
Wavelength range	400~700nm
Picture angle	27.4°
Image size	86.4mm φ
Object Size	246.9mm φ
Distortion ※1	-0.2%
Relative illumination ※1	59.8%
Aperture scale ※2	4.5 5.6 8 (with a click stop)
Object-to-image distance	658.4mm
Working distance	452.3mm
Mount size	M45(P=0.75)
Flange-to-image distance	136.1mm
Attachment size	Front: M46 × 0.75 Back: M40.5 × 0.5
Diameter/length ※3	60mm φ × 70mm
Weight	Approximately 340g

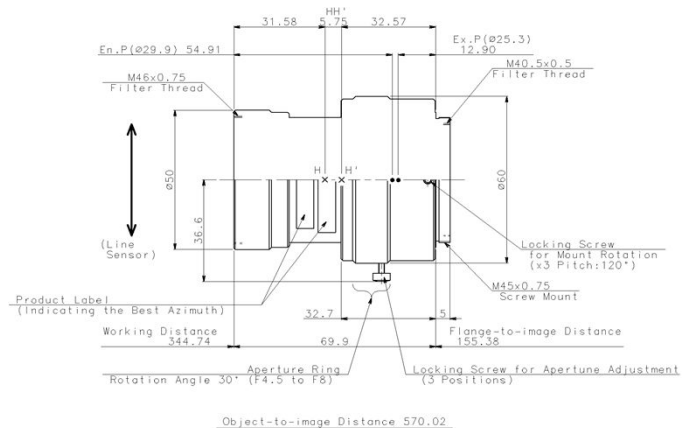
- ※1 Highest image height (Y'=43.2mm) at F4.5
- ※2 Diaphragm scale indicated with indexes. No numeric indication.
- ※3 Dimension excludes protrusion of screws or other convex part.



Specifications

Model	L-OFM050037MN
Focal length	125.4mm
F Number (∞)	F4.5
NA	0.037
Magnification scale	-0.5x
Reference wavelength	546.07nm(e-line)
Wavelength range	400~700nm
Picture angle	24.4°
Image size	86.4mm φ
Object Size	172.8mm φ
Distortion ※1	-0.2%
Relative illumination ※1	66.5%
Aperture scale ※2	4.5 5.6 8 (with a click stop)
Object-to-image distance	570.0mm
Working distance	344.7mm
Mount size	M45(P=0.75)
Flange-to-image distance	155.4mm
Attachment size	Front: M46 × 0.75 Back: M40.5 × 0.5
Diameter/length ※3	60mm φ × 69.9mm
Weight	Approximately 340g

- ※1 Highest image height (Y'=43.2mm) at F4.5
- ※2 Diaphragm scale indicated with indexes. No numeric indication.
- ※3 Dimension excludes protrusion of screws or other convex part.



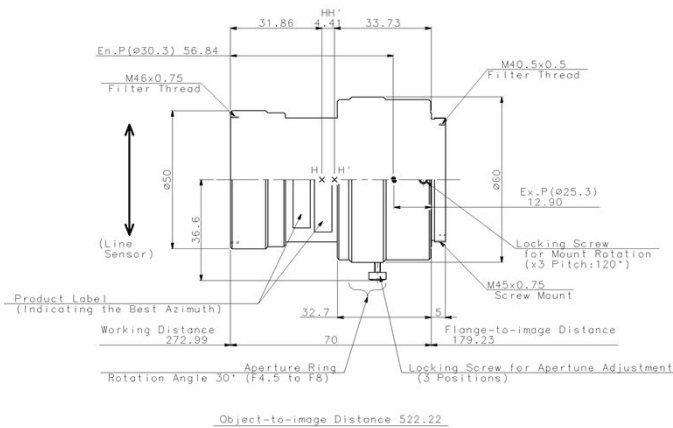
- Specifications unless any specific instructions are stated is at the standard magnification.
- Specifications are subject to change without prior notice.



**Specifications**

Model	L-OFM070046MN
Focal length	125.5mm
F Number (∞)	F4.5
NA	0.046
Magnification scale	-0.7x
Reference wavelength	546.07nm(e-line)
Wavelength range	400~700nm
Picture angle	21.2°
Image size	86.4mm φ
Object Size	123.4mm φ
Distortion ※1	+0.1%
Relative illumination ※1	73.6%
Aperture scale ※2	4.5 5.6 8 (with a click stop)
Object-to-image distance	522.2mm
Working distance	273.0mm
Mount size	M45(P=0.75)
Flange-to-image distance	179.2mm
Attachment size	Front: M46 × 0.75 Back: M40.5 × 0.5
Diameter/length ※3	60mm φ × 70mm
Weight	Approximately 340g

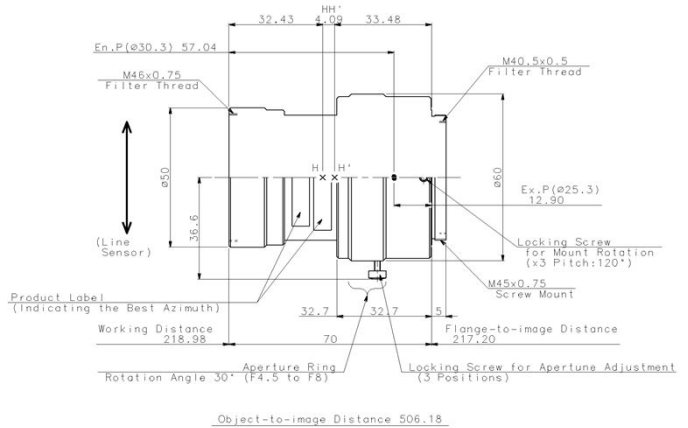
- ※1 Highest image height (Y'=43.2mm) at F4.5
- ※2 Diaphragm scale indicated with indexes. No numeric indication.
- ※3 Dimension excludes protrusion of screws or other convex part.



**Specifications**

Model	L-OFM100055MN
Focal length	125.7mm
F Number (∞)	F4.5
NA	0.055
Magnification scale	-1x
Reference wavelength	546.07nm(e-line)
Wavelength range	400~700nm
Picture angle	17.8°
Image size	86.4mm φ
Object Size	86.4mm φ
Distortion ※1	+0.0%
Relative illumination ※1	82.2%
Aperture scale ※2	4.5 5.6 8 (with a click stop)
Object-to-image distance	506.2mm
Working distance	219.0mm
Mount size	M45(P=0.75)
Flange-to-image distance	217.2mm
Attachment size	Front: M46 × 0.75 Back: M40.5 × 0.5
Diameter/length ※3	60mm φ × 70mm
Weight	Approximately 340g

- ※1 Highest image height (Y'=43.2mm) at F4.5
- ※2 Diaphragm scale indicated with indexes. No numeric indication.
- ※3 Dimension excludes protrusion of screws or other convex part.



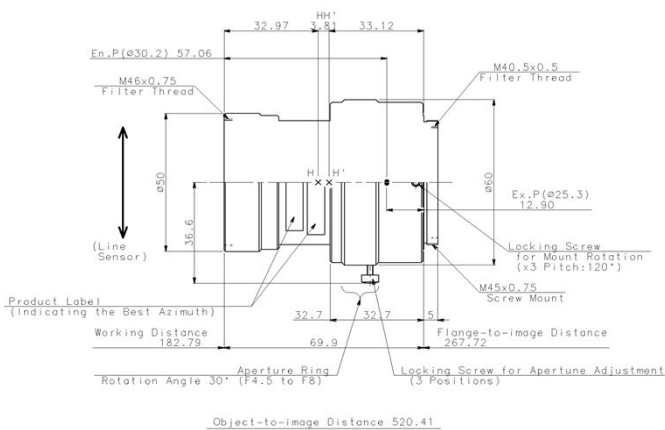
• Specifications unless any specific instructions are stated is at the standard magnification.  
 • Specifications are subject to change without prior notice.



**Specifications**

Model	L-OFM140063MN
Focal length	125.9mm
F Number ( $\infty$ )	F4.5
NA	0.063
Magnification scale	-1.4x
Reference wavelength	546.07nm (With a click stop)
Wavelength range	400~700nm
Picture angle	14.6°
Image size	86.4mm $\phi$
Object Size	61.7mm $\phi$
Distortion ※1	-0.0%
Relative illumination ※1	90.0%
Aperture scale ※2	4.5 5.6 8 (with a click stop)
Object-to-image distance	520.4mm
Working distance	182.8mm
Mount size	M45(P=0.75)
Flange-to-image distance	267.7mm
Attachment size	Front: M46 $\times$ 0.75 Back: M40.5 $\times$ 0.5
Diameter/length ※3	60mm $\phi$ $\times$ 69.9mm
Weight	Approximately 340g

- ※1 Highest image height ( $Y'$ =43.2mm) at F4.5
- ※2 Diaphragm scale indicated with indexes. No numeric indication.
- ※3 Dimension excludes protrusion of screws or other convex part.



For further queries, please contact ;  
 Marketing Sec. Industrial Equipment Dept.  
 TOCHIGI NIKON CORPORATION  
 E-mail: ktn.eigy@nikon.com  
 Phone+81-287-28-7100 FAX+81-287-28-7170

- Specifications unless any specific instructions are stated is at the standard magnification.
- Specifications are subject to change without prior notice.