

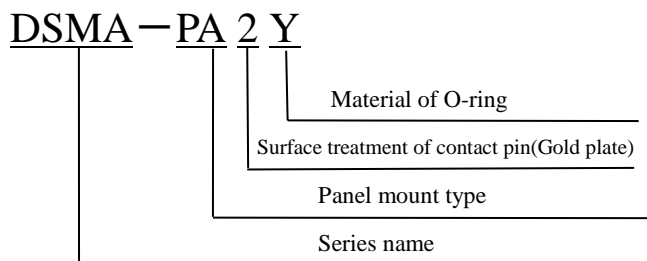
■ Features

- Through bulkhead type SMA coaxial Glass-sealed Hermetic Connector
- Shell is made of stainless steel – Low possibility of corrosion
- Superior Airtight (1×10^{-10} Pa m³/sec or less) with glass-sealed, and it maintains high reliability.

■ Structure and Surface treatment

- Flange of shell is groove for O-ring
- Flange of shell is finished surface with nickel plating。

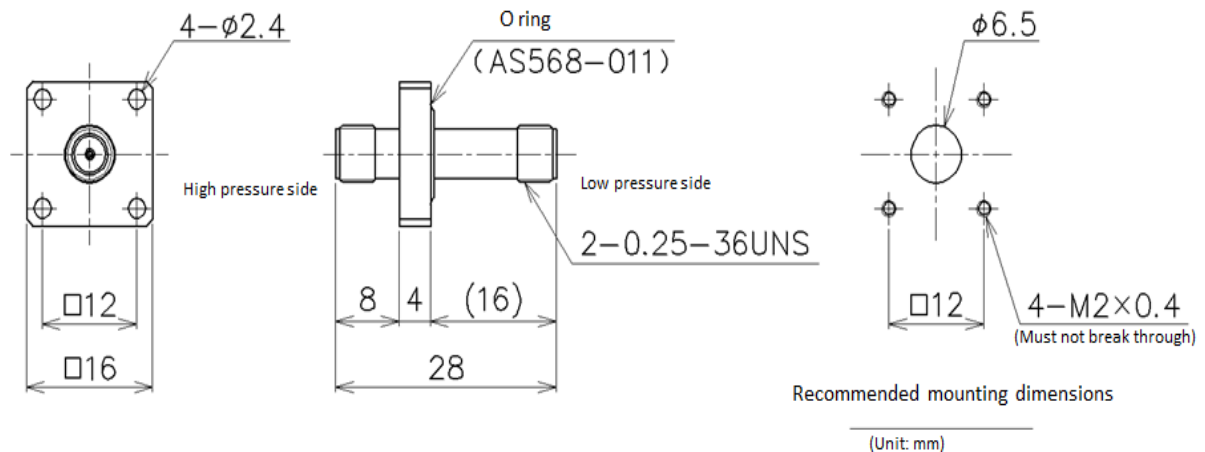
■ Part Number



Y	Material of O-ring
1	Silicon
2	Nitrile
3	Fluorine
4	Others

■ Electrical characteristic

Characteristic impedance	50Ω
Insulation Resistance	1000MΩ or higher (at DC500V)
Dielectric Withstanding Voltage	AC1000Vrms



- Please ask us for custom requirements such as material, mounting dimensions, shape, high pressure specifications, etc.
- Please ask us if the pressure direction is reversed.
- Please note that the product specifications are subject to change without notice due to improvements, etc.