

# DPT02 series

## Features

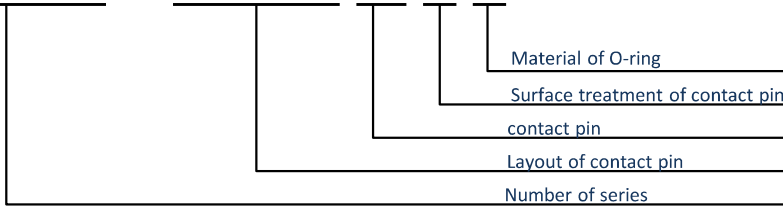
- Complies with MIL-DTL-26482 standard , Small and Highly Reliable
- Stainless Metal Housing - Less corrosion
- Superior airtight( $1 \times 10^{-10}$ Pa m<sup>3</sup>/sec) with glass sealing (helium gas test)
- DPT02 series could meet several requirements of heat resistance and vibration resistance , water resistance and water proof under the open sky and harsh environment

### ■structure and surface treatment

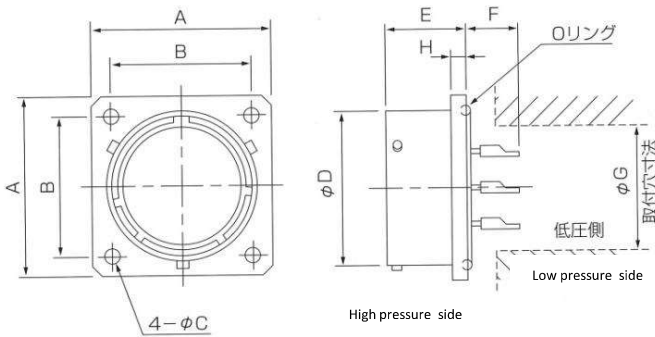
- Flange of metal housing is grooved for O-ring
- Flange of metal housing is finished surface with nickel plating

### ■Parts Number

D P T 0 2 - 1 6 - 2 6 P X Y



X	surface treatment of contact pin	Y	Material of O-ring
1	Nickel plating	1	silicon
2	Gold plating	2	Nitrile
3	others	3	Fluorine
		4	others



### ■characteristic

Insulation Resistance	Over 1000MΩ
Dielectric with standing voltage *	AC500Vrms
Rated Amps	Contact size 16 10A Contact size 20 5A
Contact Resistance	Contact size 16 65mV or less Contact size 20 70mV or less

\* Please contact us about high dielectric with standing voltage

Housing size	Part number	A	B	φC	φD	E	F	φG	H	O-ring size
8	DPT02-8-XXP	20.6	15.1	3.2	12.01	13	8	8	2	AS568-013
12	DPT02-12-XXP	26.6	20.6	3.2	19.05	13	8	14	2	AS568-017
14	DPT02-14-XXP	29.0	23.0	3.2	22.23	13	8	17	2	AS568-019
16	DPT02-16-XXP	31.4	24.6	3.2	25.40	13	8	20	2	AS568-021
18	DPT02-18-XXP	33.7	27.0	3.2	28.58	13	8	22	2	AS568-023
20	DPT02-20-XXP	37.0	29.4	3.2	31.75	17	8	25	2.7	AS568-013
22	DPT02-22-XXP	40.1	31.8	3.2	34.93	17	8	29	2.7	AS568-013

## DPT02 series

### CONTACT arrangement

Ray out	8-4	12-3	12-8	12-10
Size	20	16	20	20
number	4	3	8	10
Ray out	14-5	14-18	14-19	16-18
Size	16	20	20	16
number	5	18	19	8
Ray out	16-26	18-11	18-32	20-16
Size	20	16	20	16
number	26	11	32	16
Ray out	20-41	22-21	22-34	22-55
Size	20	16	20	20
number	41	21	34	55