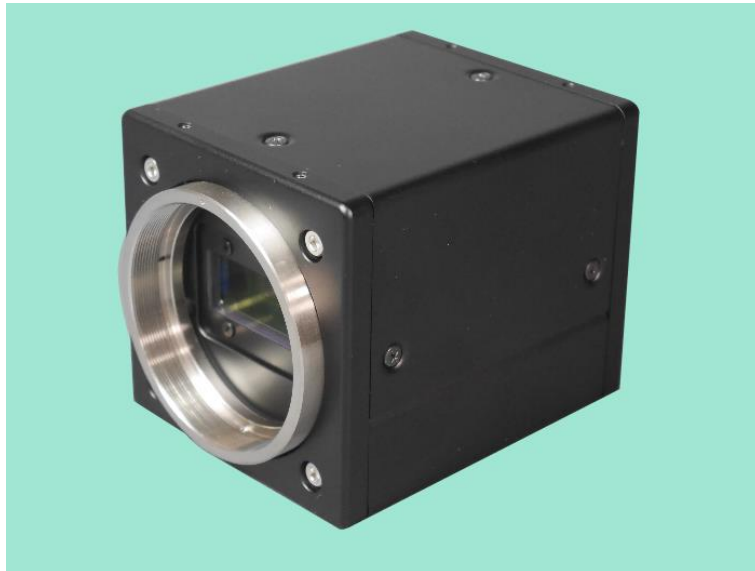


BV-C5400 3CMOS 4K RGB Line scan camera

BV-C5400 equips newly developed prism optics for line sensors in lightweight and compact body and uses three 4K CMOS line sensors to capture R, G and B wavelength respectively.



Key features

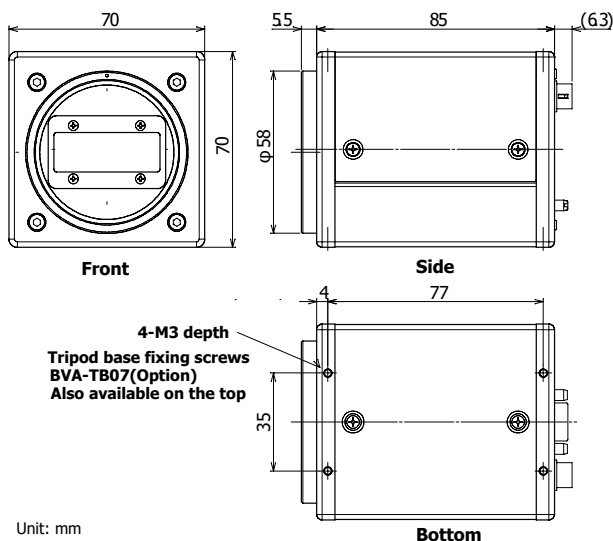
- ◆ Newly developed RGB Dichroic prism for line scan camera
- ◆ Three CMOS, 4096 pixels, 7 μ m square pixel sensors to be used
- ◆ Small size, light in weight, compact body design
- ◆ Pixel clock cycle of 80MHz and line rate of 18,034 lines/second
- ◆ Variable electronic shutter from 55.45 μ s to 100ms in 12.5ns unit
- ◆ 4K full resolution mode or Binning 2K mode can be selected
- ◆ Image output through Camera Link Base configuration, 8bit x 3
- ◆ Gain setting from -3dB to +12dB
- ◆ Internal or External trigger for synchronization
- ◆ Shading compensation with PRNU and DSNU
- ◆ Lens aberration compensation
- ◆ Three operation modes (No Shutter mode, Shutter select mode, Pulse width)
- ◆ Communication interface by Camera Link, Baud rate of 115200bps
- ◆ Field update function
- ◆ Camera Control Tool is available

Specifications

Item & Function	Specifications
Optical system	RGB Dichroic prism
Image sensor	4096 pixels, 7 μ m square pixel, CMOS line sensor x 3
Effective image length	28.672 mm
Synchronization	Internal / External trigger
Pixel clock cycle	80MHz
Line rate/Line frequency	55.45 μ s(Internal) / 18.03KHz (Internal)
Image output	4K Full resolution mode or 2K binning mode is selectable Camera Link, Base configuration, 8bit x 3
Standard illumination	3500Lx (Color temp. 7800K equivalent, Gain Low, Shutter OFF, F2.8, Line rate 330 μ s, 100% video)
S/N	8bit gradation (S/N: more than 48dB)
Line rate variable range	55.45 μ s ~ 100ms in 12.5ns unit
Electronic shutter	Variable range 9.52 μ s ~ 100ms in 12.5ns unit
Gain	R/G/B -3 dB ~ +12dB
Black level	R/G/B 0LSB ~ 31LSB
Trigger input	Camera Link LVDS (CC1)
Operating mode	1. No Shutter mode (Internal/External trigger) 2. Shutter Select mode (Internal/External trigger) 3. Pulse Width Control (External trigger)
Compensation	PRNU, DSNU, Shading compensation, Lens aberration comp.(ON/OFF)
Communication interface	Camera Link EIA644, Baud rate 115200bps
Lens mount	M52 mount /Option F mount
Input voltage/Current consumption	DC 12V~24V, Typical TBD/Max. TBD
Operating Temperature/Humidity	-5 $^{\circ}$ C ~ +45 $^{\circ}$ C /20%~80% (non-condensing)
Storage Temperature/Humidity	-25 $^{\circ}$ C ~ +60 $^{\circ}$ C /20%~80% (non-condensing)
Dimensions (WxHxD)	70 x 70 x 85 mm (excluding protrusion)
Weight	570g

Specifications are subject to change without prior notice

Dimensions



Rear Panel



Optical response

